

MULTI-PURPOSE, TABLE-TOP CENTRIFUGE

1696R





Multi-Purpose, Table-Top Centrifuge **1696R**

The refrigerated GYROZEN 1696R combines high capacity and performance in an attractive form that clearly sets itself from the others. It combines a high capacity of up to 4 x 1,000 mL, with class-leading versatility of 11 kinds of fixed angle rotors and 6 kinds of swing-out rotors with different tube racks. It also features the improved high-performance motor specifically developed for 1696R to minimize any speed deviation, which makes it ideal for a setting that requires both precision and consistency in every step.

Features

- High centrifugation speed that goes up to 27,590 xg (16,000 rpm)
- Swing-Out bucket rotors accommodate tubes and bottles from 0.2 mL to 1,000 mL
- Motorized soft-touch lid for easy effortless closing
- Highly visible display screen with integrated touch buttons for easy maintenance
- Numeric keys for quick setting
- Fast-Cool function that sets temperature to 4°C in 5 minutes for a quick start
- Key-lock function to prevent any unintentional changes during operation
- Automatic rotor recognition and imbalance detection warning for safety



Technical Specifications

Max. RPM/RCF	Fixed Angle	16,000 / 27,590 xg
	Swing-Out	5,000 / 5,394 xg
Max. Capacity	Fixed Angle	6 x 250 mL
	Swing-Out	4 x 1,000 mL
Temp. Range	-11°C ~ 40°C	
Fast Cool Button	Yes	
Time Control	Timed < 10 hr or Continuous	
Time Counting Modes	Selectable, At Set Speed Or From Starting	
RPM/RCF conversion	Yes	
Noise level (dB)	< 60dB (GRS-B-750-4 : < 70dB)	
ACC/DEC	9/10 steps	
Program memory	100 (4 Easy Program Save/Call)	
Parameters on display window	RPM (RCF), Time, Temp, ACC, DEC	
Display	White FND	
Automatic rotor identification	Yes	
Imbalance cut-off	Yes	
Safety lid lock	Yes	
Lid drop protection	Yes	
Motorized lid open & close	Yes	
Automatic lid release at completion	Yes	
Power supply	230 V, 50 Hz (AC 220-230 V, 50/60 Hz; 110 V optional)	
Power requirement	2.0kVA	
Dimension (W x D x H, mm)	775 x 695 x 395	
Weight without rotor (kg)	116 kg	
Cat. No.	GZ-1696R	

Rotors for 1696R

Swing out Rotor

GLB-b1000-1000



GLB-h1000-1000



GLB-r1000-1000



GLB-b750-750B



GLB-500-750B



Cat. No.	GRS-B-1000-4	GRS-B-1000-4	GRS-B-1000-4	GRS-B-750-4	GRS-B-750-4
Max. speed	3,700 rpm	3,700 rpm	3,700 rpm	4,600 rpm	4,600 rpm
Max. g-force	3,337 xg	3,092 xg	3,084 xg	4,850 xg	5,157 xg
Max. Capacity	4 x 1,000 mL	4 x 2 x 250 mL	4 x 10 x 50 mL conical	4 x 750 mL	4 x 500 mL

GLP-nw-750B



Cat. No.	GRS-B-750-4	GRS-B-r750-4	GRS-B-250-4	GRS-B-r250-4	GRS-B-100-6
Max. speed	4,600 rpm	3,600 rpm	5,000 rpm	4,000 rpm	4,200 rpm
Max. g-force	4,033 xg	2,898 xg	5,394 xg	3,134 xg	3,424 xg
Max. Capacity	4 x 4 MTPs	4 x 750 mL	4 x 250 mL	4 x 250 mL	6 x 100 mL

Fixed Angle Rotor



Cat. No.	GRF-B-250-6	GRF-B-85-6	GRF-B-c50-6	GRF-B-50-8	GRF-B-15-24
Max. speed	8,000 rpm	12,000 rpm	13,000rpm	15,000 rpm	8,000 rpm
Max. g-force	9,588 xg	17,709 xg	18,592 xg	25,910 xg	8,872 xg
Max. Capacity	6 x 250 mL	6 x 85 mL	6 x 15/50 mL conical	8 x 50 mL	24 x 15 mL



Cat. No.	GRF-B-15-12	GRF-B-c15-12	GRF-B-m5.0-20	GRF-B-m2.0-48	GRF-B-m2.0-30
Max. speed	15,000 rpm	15,000 rpm	13,500 rpm	15,000 rpm	16,000 rpm
Max. g-force	25,155 xg	25,910 xg	22,209 xg	24,602 xg	27,590 xg
Max. Capacity	12 x 10/15 mL	12 x 15 mL conical	20 x 5.0 mL	48 x 1.5/2.0 mL	30 x 1.5/2.0 mL



Cat. No.	GRF-B-s0.2-64
Max. speed	12,000 rpm
Max. g-force	10,803 xg
Max. Capacity	64 x 0.2 mL

Advanced Features



Accurate Speed

± 0.1% speed deviation



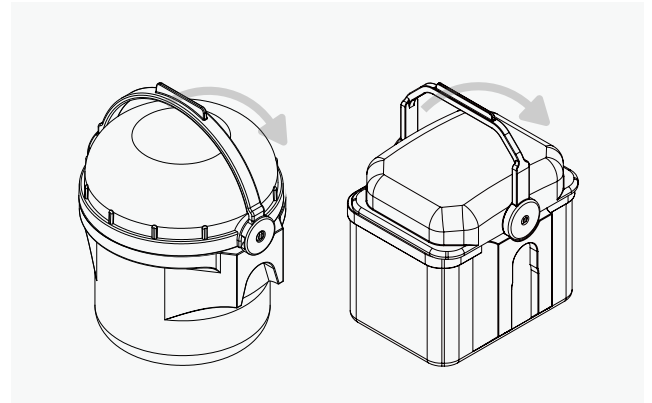
Large Display With Integrated Touch Buttons

Contourless single continuous display with integrated touch buttons for easy handling



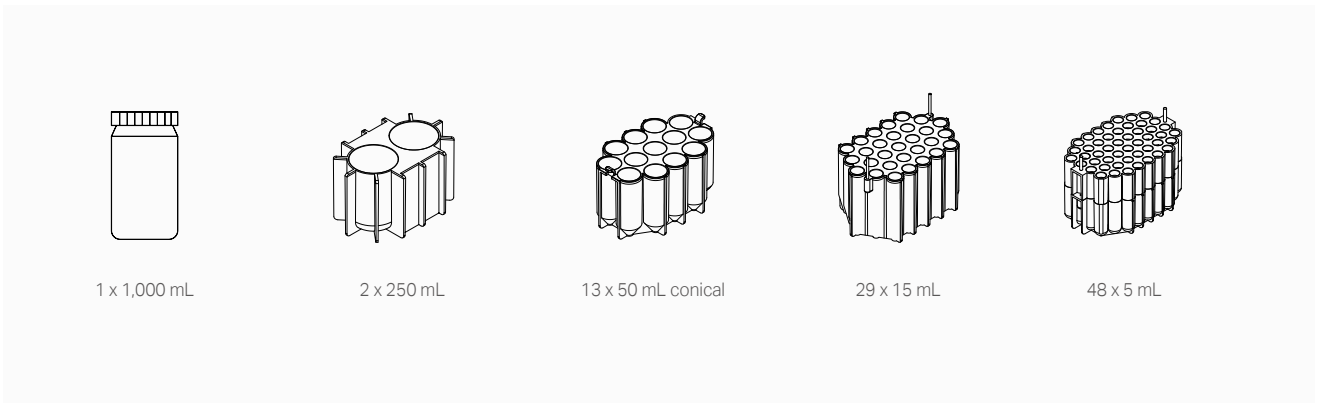
Built in Storage

Thanks to its smart use of space, the emergency tool and level is always within easy reach for maximum operational convenience



Click Type Bucket For Safe Sealing

Locking mechanism is incorporated within the handle for safe sealing



High-throughput, Large Capacity

Swing out Rotor, GRS-B-1000-4 with GLB-h1000-1000 bucket



EXPERTS IN LABORATORY EQUIPMENT

CENTRIFUGES

CONCENTRATORS

FREEZE DRYERS

DEEP FREEZERS

CO₂ INCUBATOR

MIXERS & SHAKERS

PROUDLY MADE IN KOREA

www.gyrozen.com